

AceClamp[®]
Attachment Solutions for
Standing Seam Metal Roofs



AceClamp®

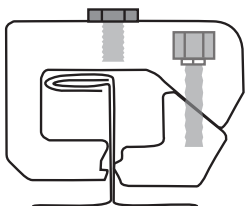
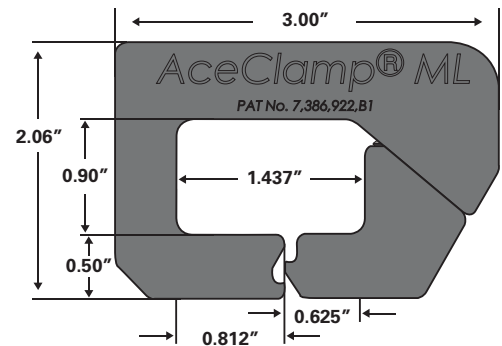
■ **Fast**
no assembly required

■ **Easy**
one top-mount fastener

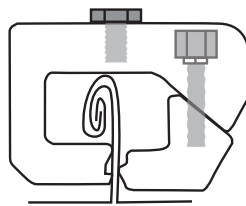
■ **Secure**
locks in place

Two Models

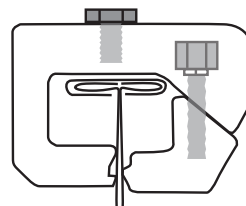
AceClamp® ML
Fits Mechanical Lock panels



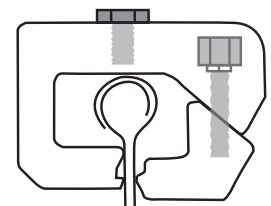
Single Lock



Double Lock

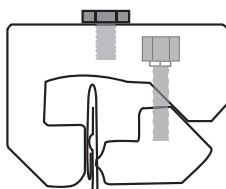
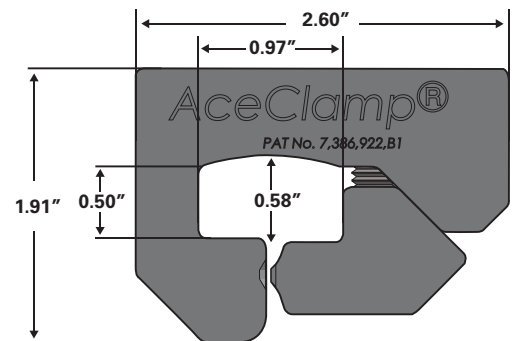


T-Seam

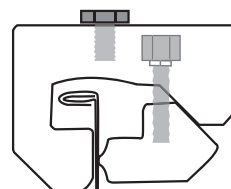


Z-Rib

AceClamp® SL
Fits - Snaplock panels
- Mechanical Lock panels
with seam dimension
of $\leq .500$ "



Snaplock



Mechanical Lock
(small seam)

AceClamp® is not designed for use on batten seam panel systems and is not recommended for nail flange panel systems.

AceClamp® is not to be used as any part of a fall protection system.

For all applications, determining the suitability of the product and the installation orientation relative to the seam are the responsibility of the professional design engineer.

AceClamp®

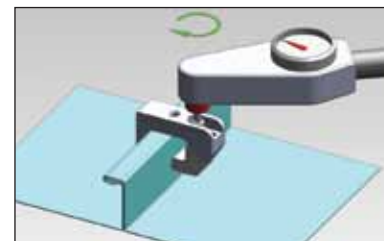
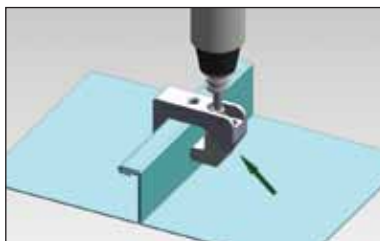
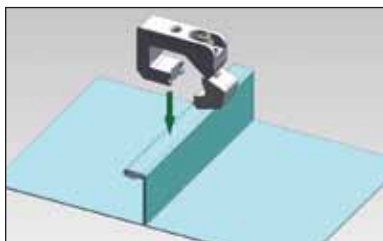
- Aluminum 6061-T6
- Stainless hardware
- Does not pierce panel
- Will not loosen from vibration
- solar
- snowrails
- windclamps
- HVAC
- conduit
- signs

Attachment Solutions for:



Fast, Simple Installation

- 1) Position AceClamp® on standing seam
- 2) Using a 1/4" hex driver, tighten AceClamp®
- 3) Finish tightening with calibrated torque wrench



175 in-lbs - steel
135 in-lbs - aluminum

Packaging

- Efficient
- Ready to install
- 20 per box; 5 boxes per case
- ML# 1287430 SL# 1287441
- Drive Bit # 1287429



20 piece box



100 piece case

Make Connections..... with AceClamp®

Technical advice and sales service

SFS intec, Inc.
FasteningSystems
Spring St. & Van Reed Rd.
PO Box 6326
US-Wyomissing, PA 19610

800 234 4533
T +1 610 376 5751
F +1 610 376 8851
us.wysales@sfsintec.biz
www.sfsintecusa.com

SFS intec, Inc. - Canada
40 Innovation Drive
Dundas, ON L9H 7P3
T +1 905 689 5401
www.sfsintec.ca

SFS intec
Turn ideas into reality.